

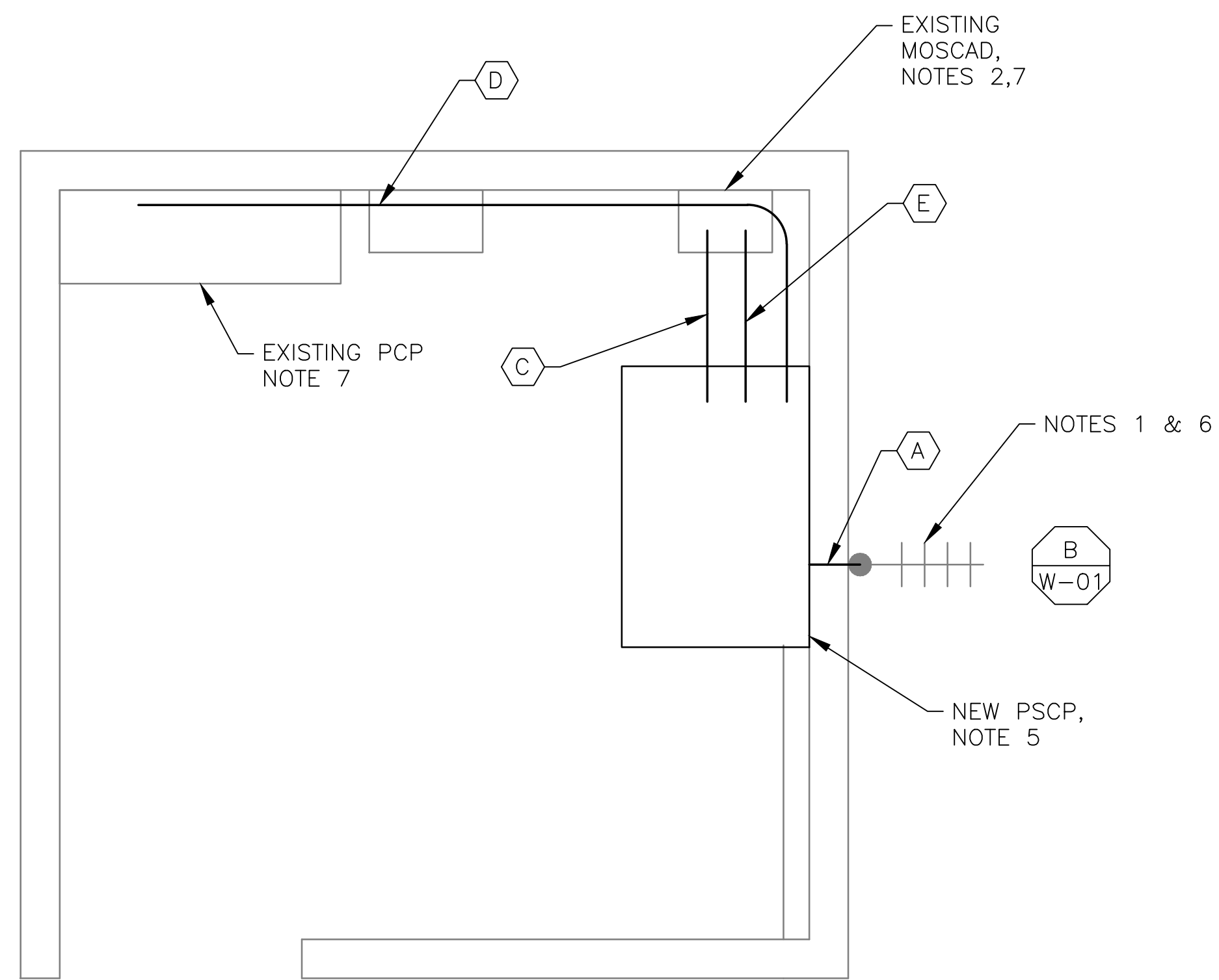


SEE DETAIL 3
THIS SHEET

1 SITE PLAN
SCALE: NTS



2 ANTENNA LOCATION
SCALE: NOT TO SCALE



3 ROOM SITE
SCALE: 3/4" = 1'-0"

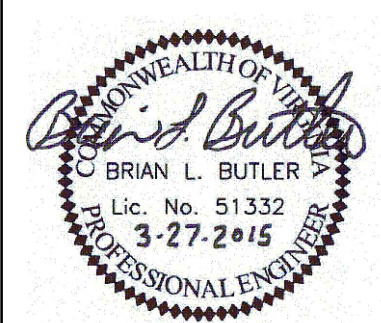
- NOTES:**
- EXISTING YAGI ANTENNA AND CABLE TO BE REMOVED AFTER SUCCESSFUL INSTALLATION OF THE NEW PUMP STATION CONTROL PANEL (PSCP).
 - EXISTING MOSCAD UNIT AND RADIO TO BE REMOVED FROM EXISTING PANEL.
 - NOT USED.
 - NOT USED.
 - REFER TO DRAWING G-11 FOR DETAILS OF THE CONSTRUCTION PHASING REQUIREMENTS FOR THE NEW PSCP.
 - MOVE EXISTING ANTENNA DOWN ON MAST AND INSTALL NEW ANTENNA ON TOP OF MAST. INSTALL NEW ANTENNA CABLE.
 - PROVIDE NEW TERMINAL BLOCKS IN EXISTING PANEL AND EXTEND EXISTING CONTROL WIRING TO THE NEW PSCP.
 - REFER TO DRAWING G-16 FOR PANEL LAYOUT.

CONDUIT/CABLE SCHEDULE	
(A)	ANTENNA CABLE
(B)	NOT USED
(C)	10 #14 IN 3/4" C
(D)	26 #14 IN 1" C
(E)	2 #12, 1 #12 GND IN 3/4" C



ISSUE	DATE	DESCRIPTION
1	MAR 27 2015	CONFORMED DRAWINGS
0	DEC 2014	BID

PROJECT MANAGER:	D. FOOTE
DESIGNED BY:	B. BUTLER
DRAWN BY:	G. BUI
PROJECT NUMBER:	8582



HAMPTON ROADS SANITATION DISTRICT
VIRGINIA BEACH, VIRGINIA

INTERCEPTOR SYSTEMS PUMP STATION
CONTROL AND SCADA

DOGWOOD DRIVE
GRAVITY LIFT STATION
NO 11
SITE PLAN

FILENAME: 0611EM36.DWG
SCALE: AS NOTED
DRAWING NUMBER: EM-36
SHEET 181 OF 256

