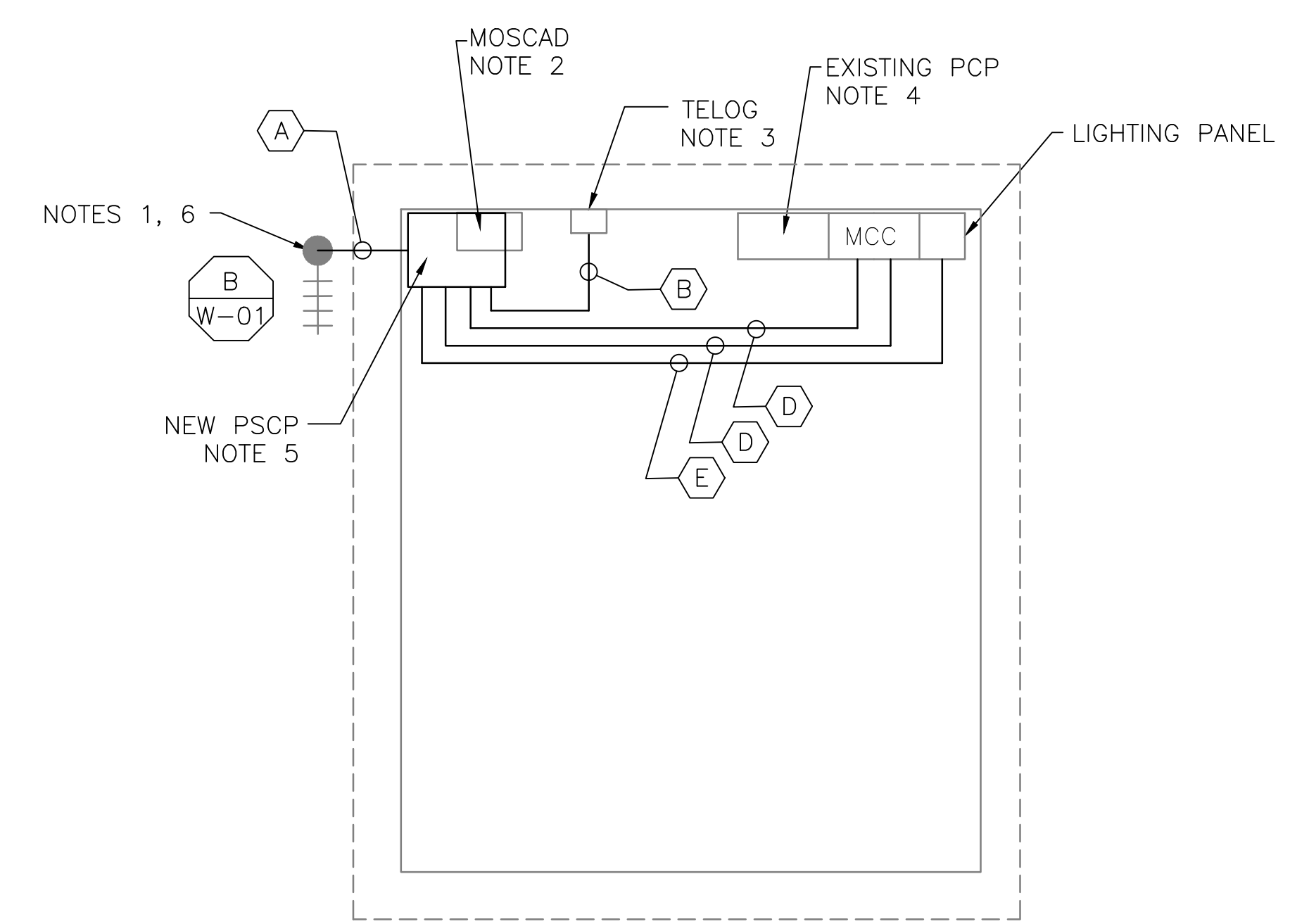


5 SITE PLAN
SCALE: 1/8" = 1'-0"



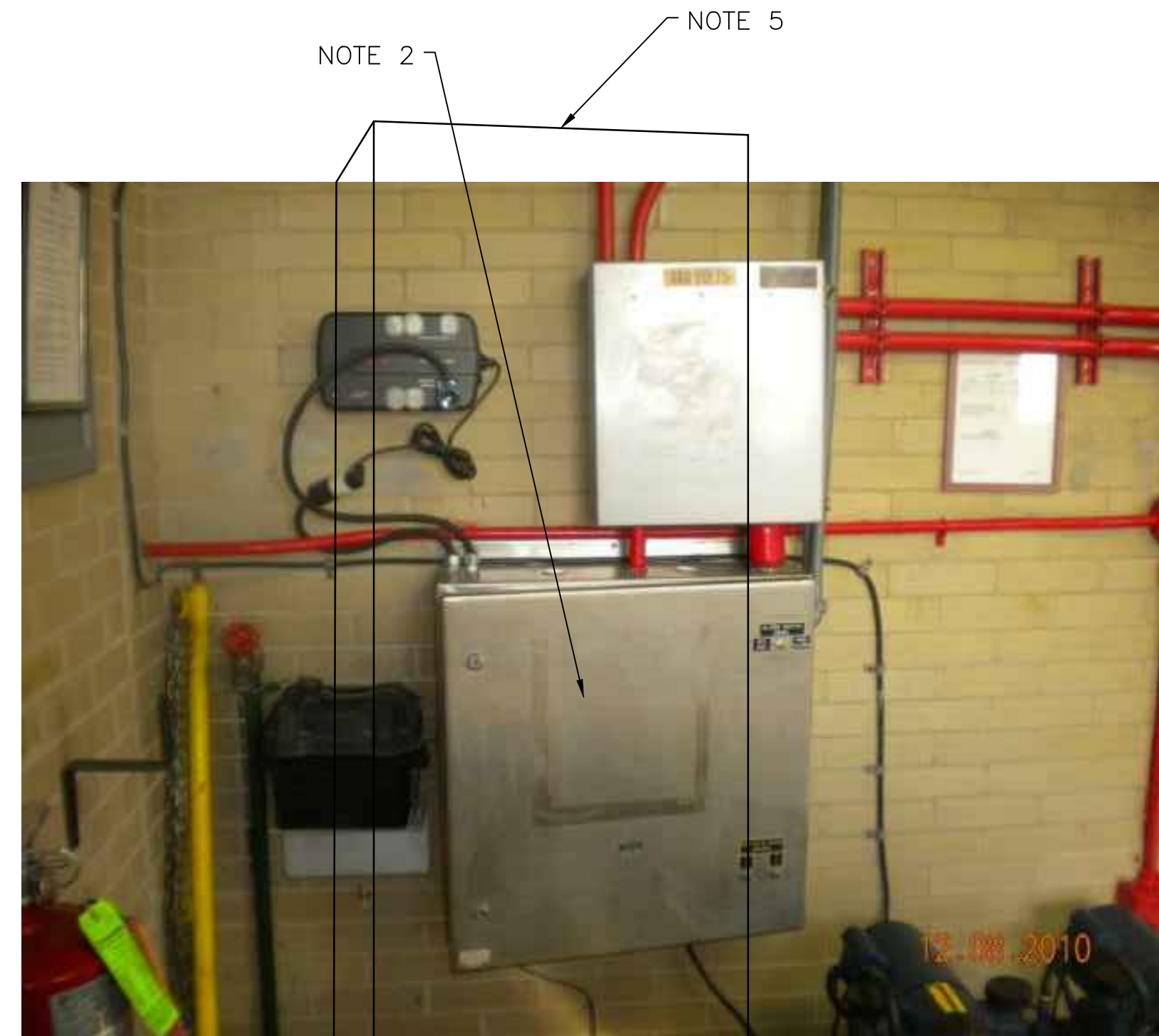
1 FLOOR PLAN
SCALE: 1/4" = 1'-0"



2 EXISTING ANTENNA LOCATION
SCALE: NOT TO SCALE

- NOTES:**
- EXISTING YAGI ANTENNA AND CABLE TO BE REMOVED AFTER SUCCESSFUL INSTALLATION OF THE NEW PUMP STATION CONTROL PANEL (PSCP).
 - EXISTING MOSCAD PANEL AND TERMINATION PANEL TO BE TEMPORARILY RELOCATED, THEN REMOVED FROM SITE AFTER INSTALLATION AND TESTING OF THE NEW PSCP. REFER TO THE I/O LIST FOR EXISTING MOSCAD ANALOG AND DIGITAL I/O SIGNALS WHICH WILL BE RE-TERMINATED WITHIN THE NEW PSCP.
 - EXISTING TELOG PANEL TO REMAIN. REMOVE EXISTING ANALOG AND DIGITAL INPUTS BETWEEN MOSCAD UNIT AND TELOG UNIT. REPLACE THESE SIGNALS WITH IDENTICAL SIGNALS ORIGINATING FROM THE NEW PSCP.
 - EXISTING PUMP CONTROL PANEL TO REMAIN. REMOVE EXISTING PLC'S, RELAYS, AND CONTROL EQUIPMENT AFTER INSTALLATION AND TESTING OF THE NEW PSCP.
 - REFER TO DRAWING G-13 FOR DETAILS OF THE CONSTRUCTION PHASING REQUIREMENTS FOR THE NEW PSCP.
 - MOVE EXISTING ANTENNA DOWN ON MAST TO ROOF LEVEL AND INSTALL NEW ANTENNA ON TOP OF MAST. INSTALL NEW ANTENNA CABLE.
 - REFER TO DRAWING G-14 FOR PANEL LAYOUT.

CONDUIT/CABLE SCHEDULE	
A	ANTENNA CABLE
	2 #12, 1 #12 GND IN 3/4" C
B	6 #14 IN 3/4" C
	3 STP IN 3/4" C
C	NOT USED
D	14 #14 IN 3/4" C
E	2 #12, 1 #12 GND IN 3/4" C



3 EXISTING MOSCAD PANEL
SCALE: NOT TO SCALE

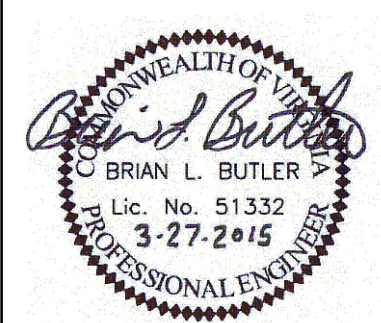


4 EXISTING CONTROL PANEL
SCALE: NOT TO SCALE



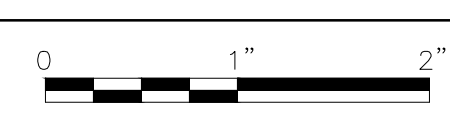
ISSUE	DATE	DESCRIPTION
1	MAR 27 2015	CONFORMED DRAWINGS
0	DEC 2014	BID

PROJECT MANAGER:	D. FOOTE
DESIGNED BY:	B. BUTLER
DRAWN BY:	G. BUI
PROJECT NUMBER:	8582



HAMPTON ROADS SANITATION DISTRICT
VIRGINIA BEACH, VIRGINIA

INTERCEPTOR SYSTEMS PUMP STATION
CONTROL AND SCADA



FILENAME	04213EN26.DWG
SCALE	AS NOTED

DRAWING NUMBER
EN-26

SHEET **70** OF **256**