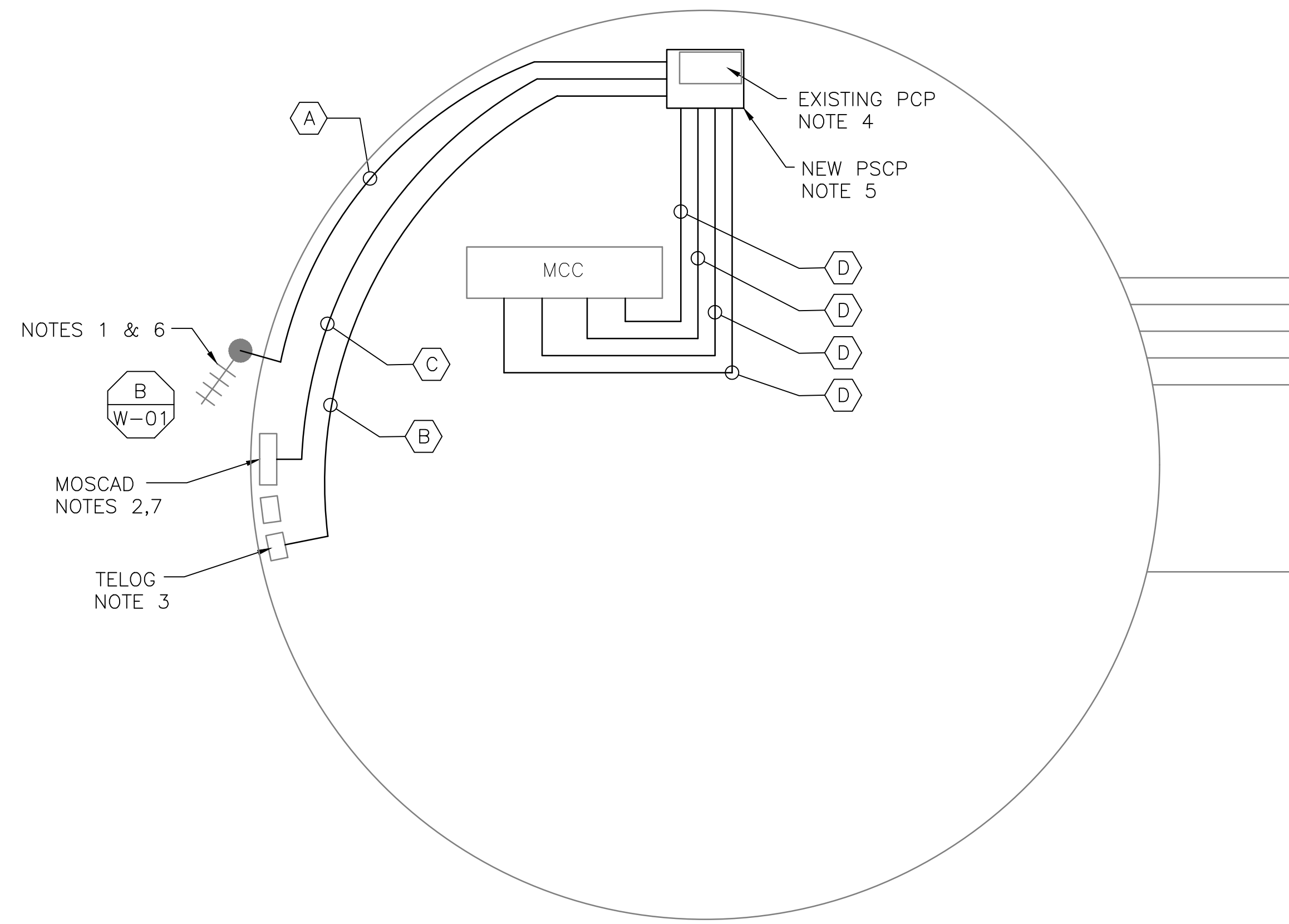


4 SITE PLAN
SCALE: 1" = 20'-0"



1 FLOOR PLAN
SCALE: 1/4" = 1'-0"

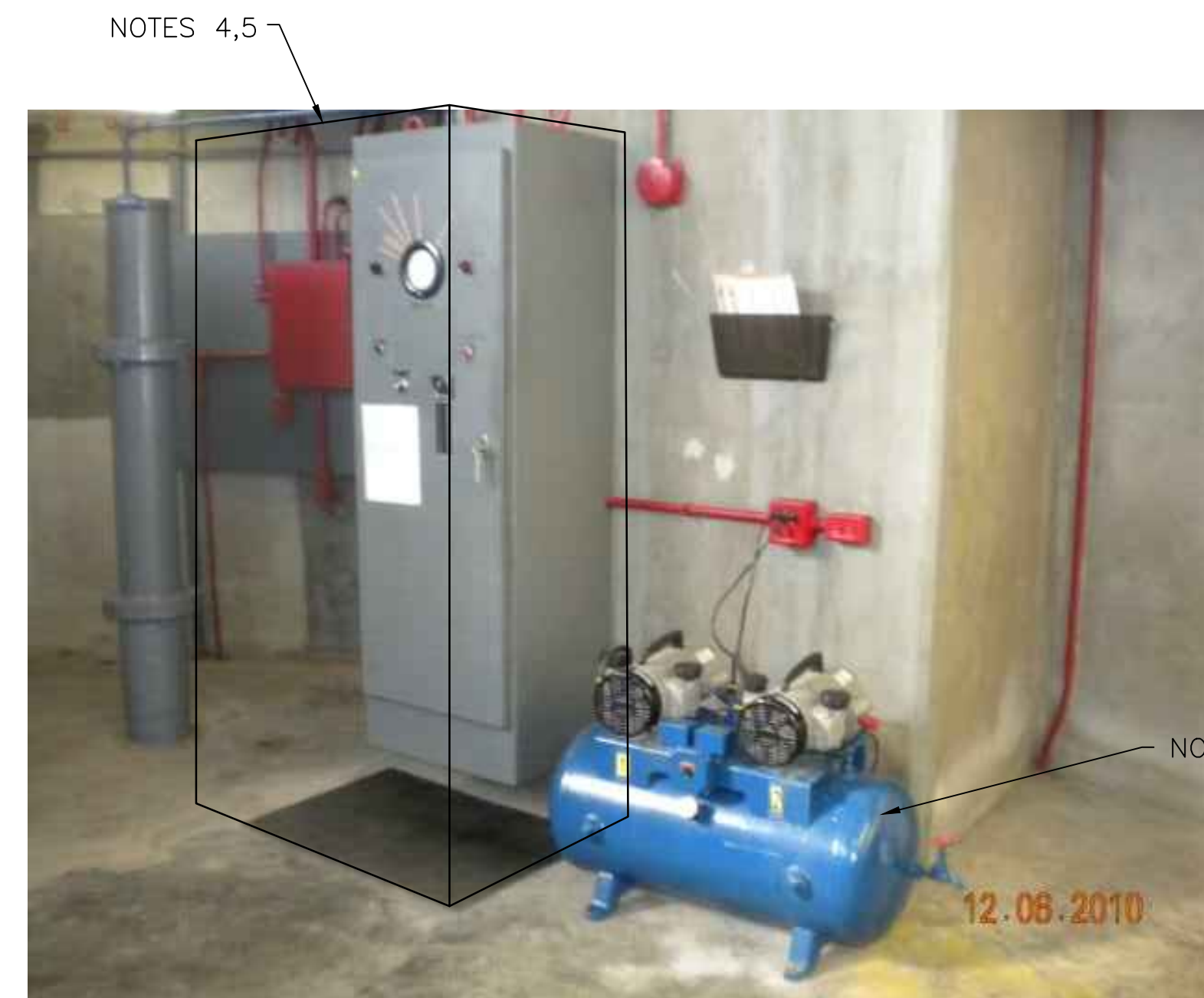


2 EXISTING ANTENNA LOCATION
SCALE: NOT TO SCALE

NOTES:

1. EXISTING YAGI ANTENNA AND CABLE TO BE REMOVED AFTER SUCCESSFUL INSTALLATION OF THE NEW PUMP STATION CONTROL PANEL (PSCP).
2. EXISTING MOSCAD UNIT AND RADIO TO BE REMOVED FROM EXISTING PANEL.
3. EXISTING TELOG PANEL TO REMAIN. REMOVE EXISTING ANALOG AND DIGITAL INPUTS BETWEEN MOSCAD UNIT AND TELOG UNIT. REPLACE THESE SIGNALS WITH IDENTICAL SIGNALS ORIGINATING FROM THE NEW PSCP.
4. REMOVE EXISTING PUMP CONTROL PANEL AFTER INSTALLATION OF THE TEMPORARY CONTROL PANEL. REWIRE CONTROLS TO THE NEW PSCP AS SHOWN ON THE DRAWINGS.
5. REFER TO DRAWING G-12 FOR DETAILS OF THE CONSTRUCTION PHASING REQUIREMENTS FOR THE NEW PSCP.
6. MOVE EXISTING ANTENNA DOWN ON MAST AND INSTALL NEW ANTENNA ON TOP OF MAST. INSTALL NEW ANTENNA CABLE.
7. PROVIDE NEW TERMINAL BLOCKS IN EXISTING PANEL AND EXTEND EXISTING CONTROL WIRING TO THE NEW PSCP.
8. REFER TO DRAWING G-14 FOR PANEL LAYOUT.
9. PUMP STATION IS NOW CONTROLLED BY A PRESSURE-SENSING LEVEL TRANSDUCER. BUBBLER AND AIR COMPRESSOR HAVE BEEN REMOVED.

CONDUIT/CABLE SCHEDULE	
A	ANTENNA CABLE
	2 #12, 1 #12 GND IN 3/4" C
B	14 #14 IN 3/4" C
	10 STP IN 1-1/2" C
C	46 #14 IN 1-1/2" C
	10 STP IN 1-1/2" C
D	14 #14 IN 3/4" C

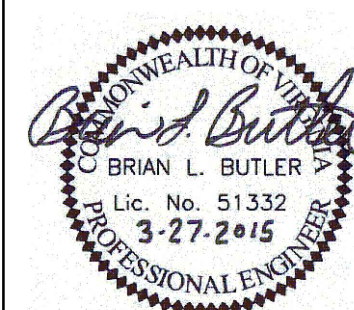


3 EXISTING CONTROL PANEL LOCATION
SCALE: NOT TO SCALE



ISSUE	DATE	DESCRIPTION
1	MAR 27 2015	CONFORMED DRAWINGS
0	DEC 2014	BID

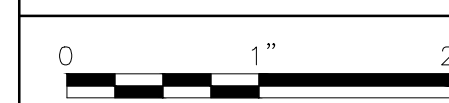
PROJECT MANAGER:	D. FOOTE
DESIGNED BY:	B. BUTLER
DRAWN BY:	G. BUI
PROJECT NUMBER:	8582



HAMPTON ROADS SANITATION DISTRICT
VIRGINIA BEACH, VIRGINIA

INTERCEPTOR SYSTEMS PUMP STATION
CONTROL AND SCADA

TAUSSIG BLVD
GRAVITY LIFT STATION
NO 129
SITE PLAN



FILENAME	05129ES59.DWG
SCALE	AS NOTED

DRAWING NUMBER	ES-59
SHEET	143 OF 256