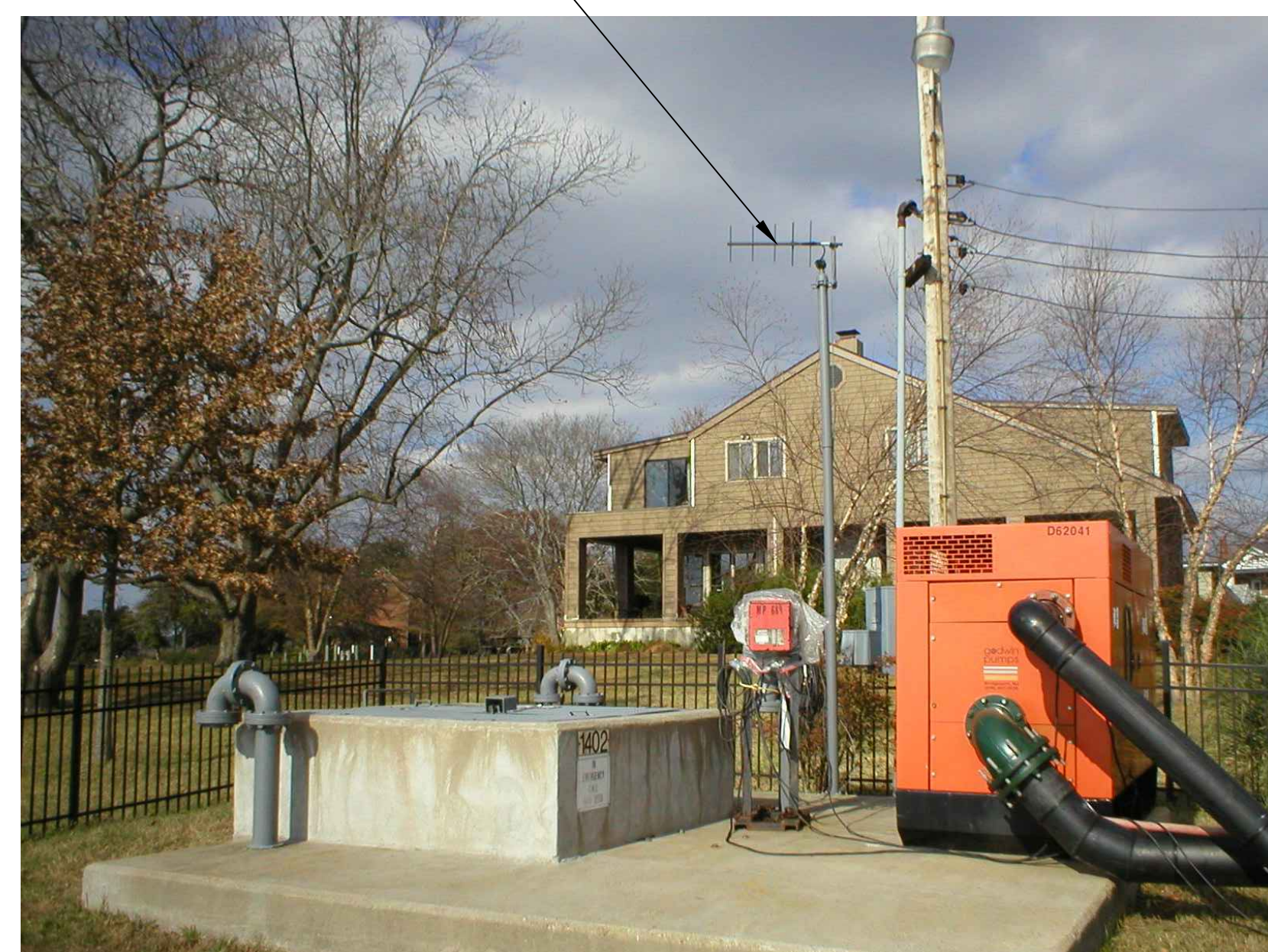


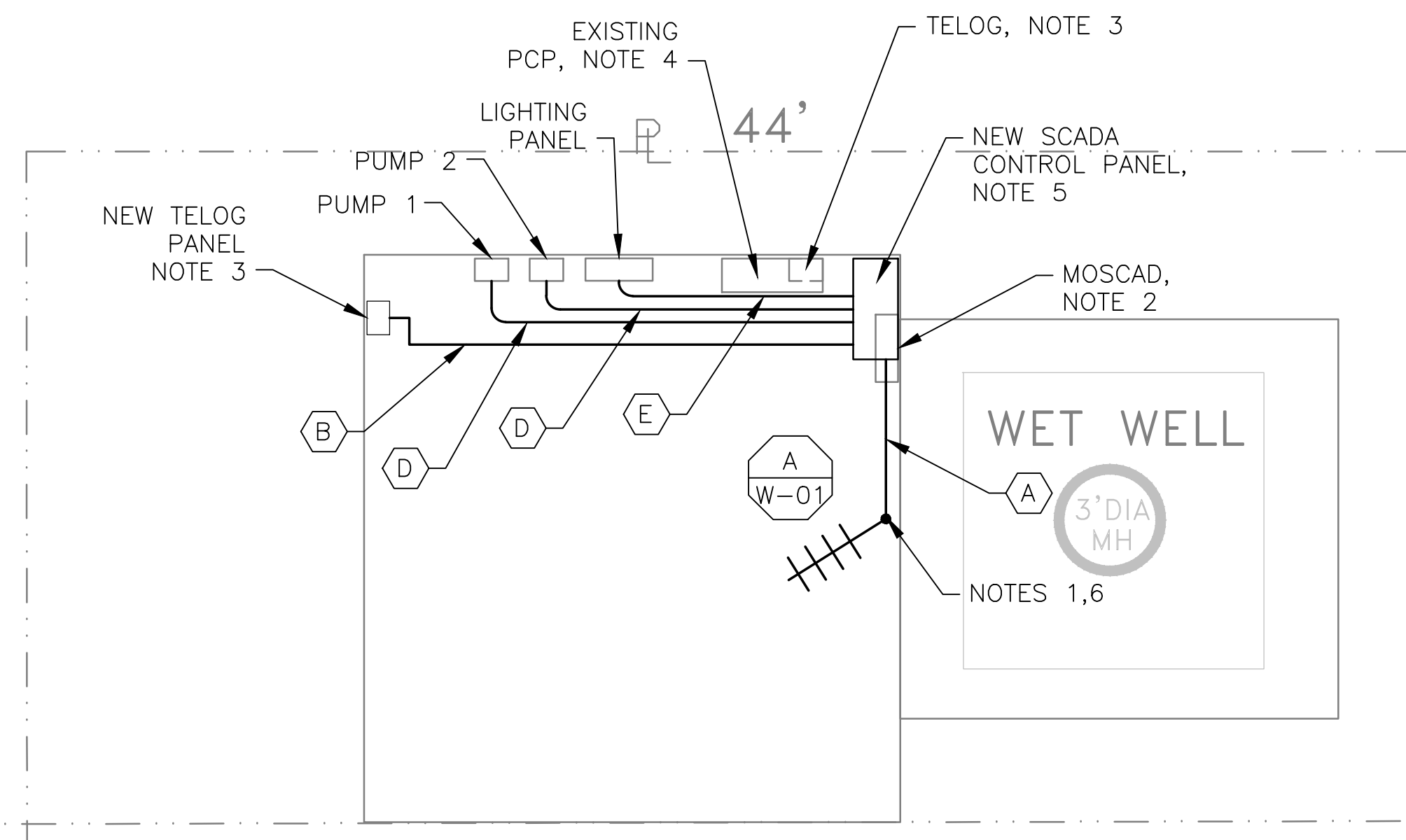
5 SITE PLAN
SCALE: 1" = 20'-0"



2 EXISTING ANTENNA LOCATION
SCALE: NOT TO SCALE



4 EXISTING CONTROL PANEL
SCALE: NOT TO SCALE



1 ROOM PLAN
SCALE: 1/4" = 1'-0"



3 EXISTING MOSCAD PANEL
SCALE: NOT TO SCALE

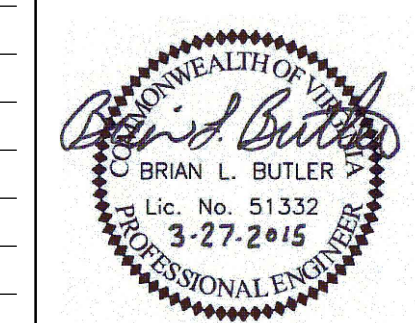
- NOTES:**
- EXISTING YAGI ANTENNA AND CABLE TO BE REMOVED AFTER SUCCESSFUL INSTALLATION OF THE NEW PUMP STATION CONTROL PANEL (PSCP).
 - EXISTING MOSCAD AND TERMINATION PANEL TO BE TEMPORARILY RELOCATED; THEN REMOVED FROM THE SITE AFTER INSTALLATION AND TESTING OF THE NEW PSCP. REFER TO THE I/O LIST FOR EXISTING MOSCAD ANALOG AND DIGITAL I/O SIGNALS WHICH WILL BE RE-TERMINATED WITHIN THE NEW PSCP.
 - EXISTING TELOG UNIT TO BE RELOCATED TO INSIDE A NEW TELOG PANEL. REMOVE EXISTING ANALOG AND DIGITAL INPUTS BETWEEN MOSCAD UNIT AND TELOG UNIT. REPLACE THESE SIGNALS WITH IDENTICAL SIGNALS ORIGINATING FROM THE NEW PSCP.
 - REMOVE EXISTING PUMP CONTROL PANEL AFTER INSTALLATION OF THE TEMPORARY CONTROL PANEL. REWIRE CONTROLS TO THE NEW PSCP AS SHOWN ON THE DRAWINGS.
 - REFER TO DRAWING G-12 FOR DETAILS OF THE CONSTRUCTION PHASING REQUIREMENTS FOR THE NEW PSCP. REFER TO DRAWING G-13 FOR DETAILS ON CONSTRUCTION PHASING REQUIREMENTS FOR TEMPORARY MOSCAD/TELOG.
 - INSTALL NEW ANTENNA ON TOP OF EXISTING STEEL POLE. SHIFT EXISTING ANTENNA DOWN 3'. INSTALL NEW ANTENNA CABLE.
 - REFER TO DRAWING G-14 FOR PANEL LAYOUT.

CONDUIT/CABLE SCHEDULE	
A	ANTENNA CABLE, REFER TO W-01 DETAIL A
B	2 #12, 1 #12 GND IN 3/4" C
C	8 #14 IN 3/4" C
D	3 STP IN 3/4" C
E	NOT USED
F	16 #14 IN 3/4" C
G	2 #12, 1 #12 GND IN 3/4" C



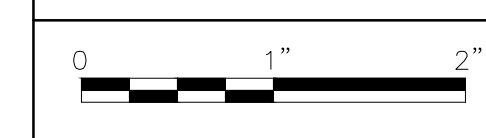
ISSUE	DATE	DESCRIPTION
1	MAR 27 2015	CONFORMED DRAWINGS
0	DEC 2014	BID

PROJECT MANAGER:	D. FOOTE
DESIGNED BY:	B. BUTLER
DRAWN BY:	G. BUI
PROJECT NUMBER:	8582



HAMPTON ROADS SANITATION DISTRICT
VIRGINIA BEACH, VIRGINIA

INTERCEPTOR SYSTEMS PUMP STATION
CONTROL AND SCADA



FILENAME	05102ES35.DWG
SCALE	AS NOTED

DRAWING NUMBER	ES-35
SHEET	119 OF 256