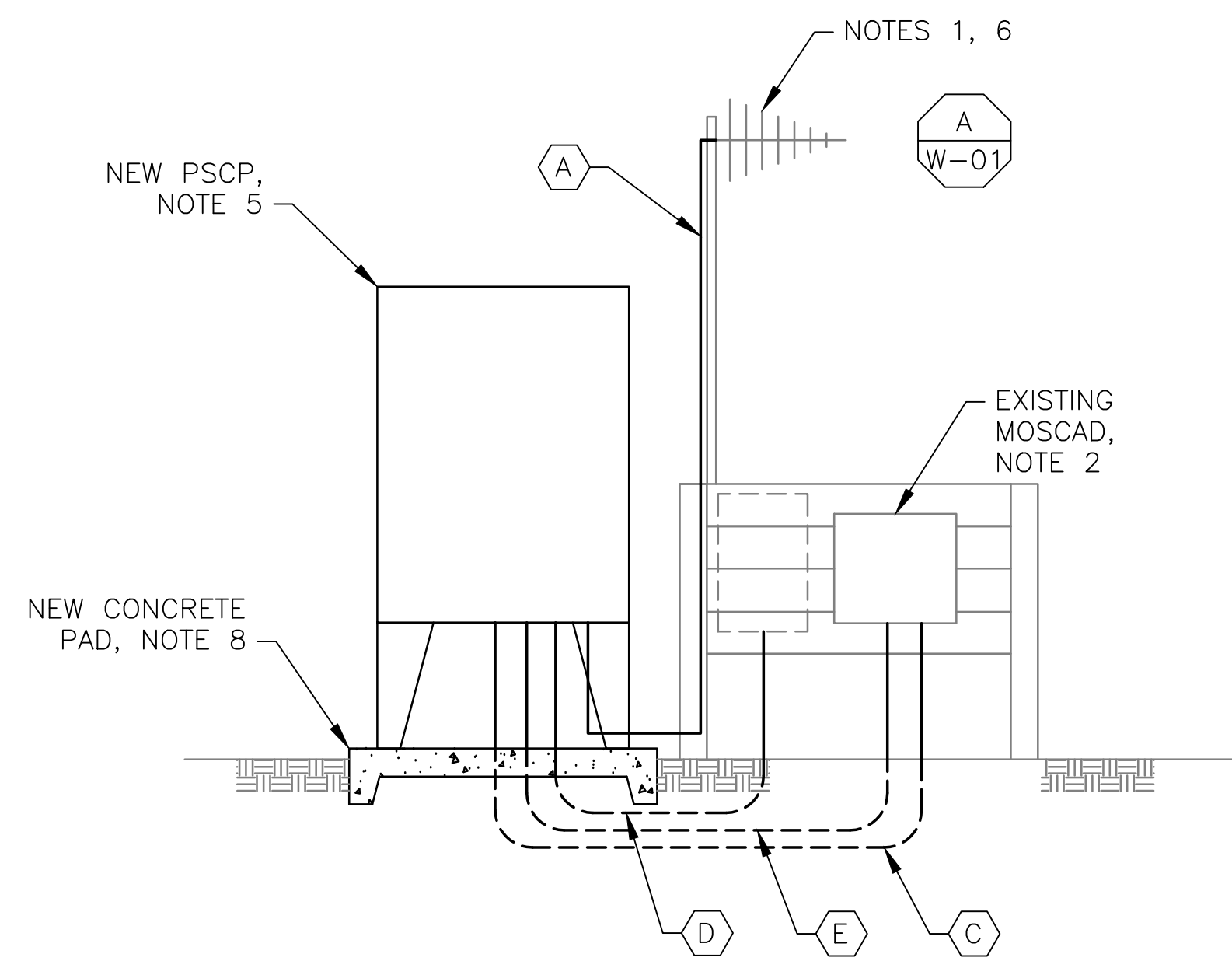




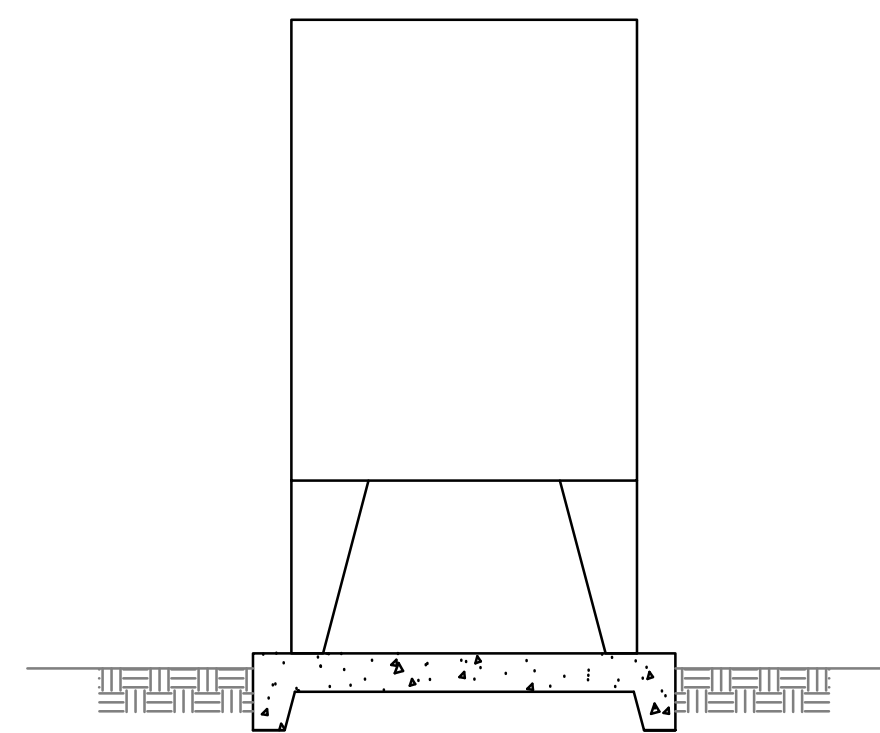
1 SITE PLAN
SCALE: NTS



2 ANTENNA LOCATION
SCALE: NOT TO SCALE



3 NEW SCADA PANEL INSTALLATION
SCALE: NOT TO SCALE



3 NEW SCADA PANEL ELEVATION
SCALE: NOT TO SCALE

NOTES:

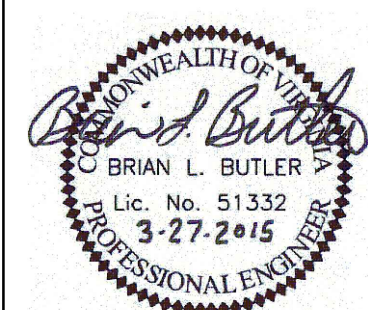
1. EXISTING YAGI ANTENNA AND CABLE TO BE REMOVED AFTER SUCCESSFUL INSTALLATION OF THE NEW PUMP STATION CONTROL PANEL (PSCP).
2. EXISTING MOSCAD UNIT AND RADIO TO BE REMOVED FROM EXISTING PANEL.
3. NOT USED.
4. NOT USED.
5. REFER TO DRAWING G-11 FOR DETAILS OF THE CONSTRUCTION PHASING REQUIREMENTS FOR THE NEW PSCP.
6. MOVE EXISTING ANTENNA DOWN ON MAST AND INSTALL NEW ANTENNA ON TOP OF MAST. INSTALL NEW ANTENNA CABLE.
7. PROVIDE NEW TERMINAL BLOCKS IN EXISTING PANEL AND EXTEND EXISTING CONTROL WIRING TO THE NEW PSCP.
8. INSTALL NEW CONCRETE PAD FOR THE NEW PSCP.
9. REFER TO DRAWING G-16 FOR PANEL LAYOUT.

CONDUIT/CABLE SCHEDULE	
(A)	ANTENNA CABLE, REFER TO W-01 DETAIL A
(B)	NOT USED
(C)	4 #14 IN 3/4" C
(D)	26 #14 IN 1" C
(E)	2 #12, 1 #12 GND IN 3/4" C



ISSUE	DATE	DESCRIPTION
1	MAR 27 2015	CONFORMED DRAWINGS
0	DEC 2014	BID

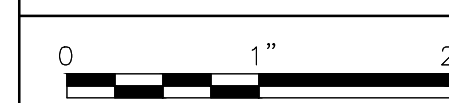
PROJECT MANAGER:	D. FOOTE
DESIGNED BY:	B. BUTLER
DRAWN BY:	G. BUI
PROJECT NUMBER:	8582



HAMPTON ROADS SANITATION DISTRICT
VIRGINIA BEACH, VIRGINIA

INTERCEPTOR SYSTEMS PUMP STATION
CONTROL AND SCADA

F AND 21ST
GRAVITY LIFT STATION
NO 32
SITE PLAN



FILENAME	0632EM37.DWG
SCALE	AS NOTED

DRAWING NUMBER	EM-37
SHEET	182 OF 256