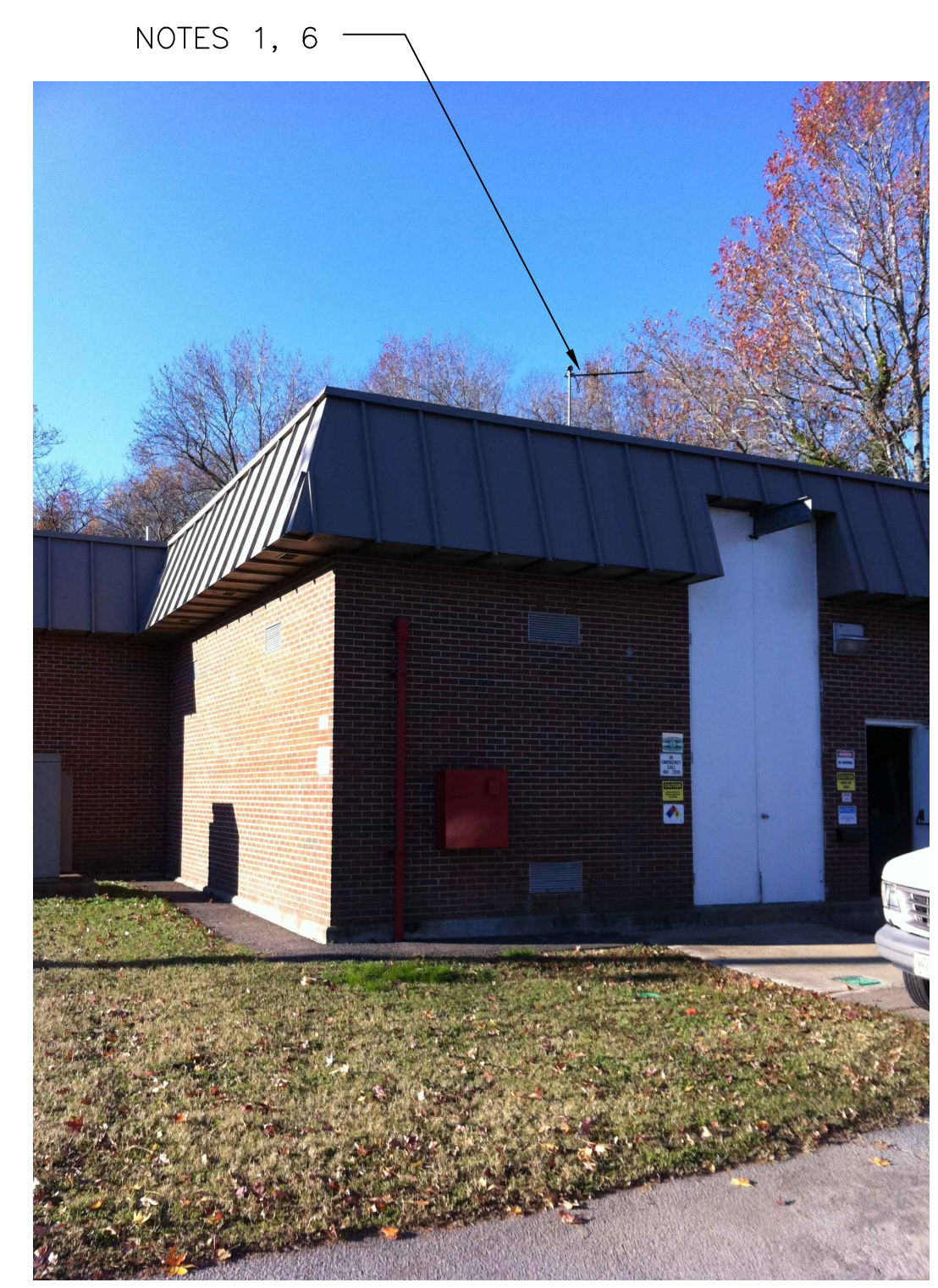


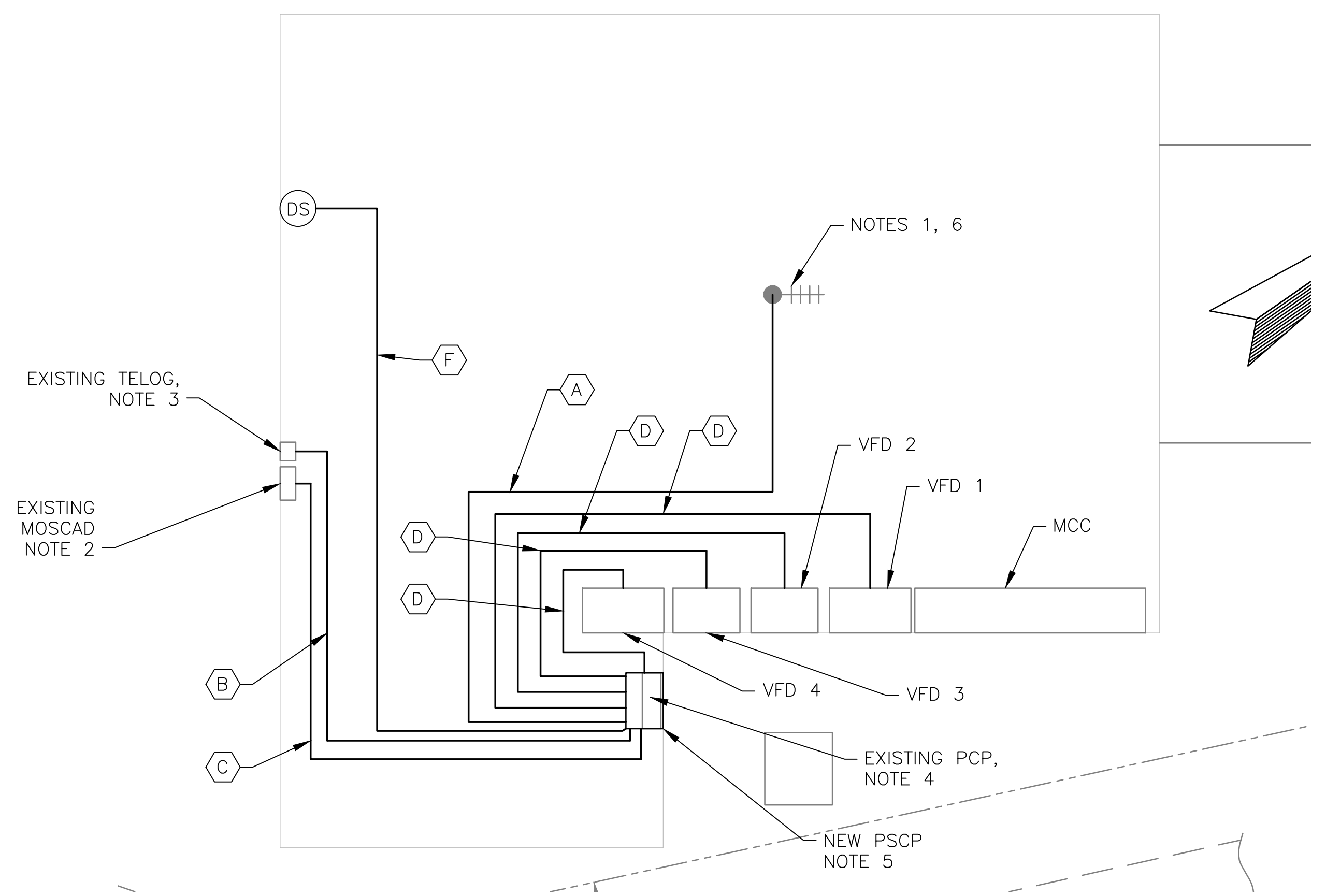
1 SITE PLAN
SCALE: 1" = 20'-0"



2 EXISTING ANTENNA LOCATION
SCALE: NOT TO SCALE

CONDUIT/CABLE SCHEDULE	
(A)	ANTENNA CABLE
(B)	2 #12, 1 #12 GND IN 3/4" C 12 #14 IN 3/4" C 7 STP IN 1-1/2" C
(C)	30 #14 IN 1" C 9 STP IN 1-1/2" C
(D)	16 #14 IN 3/4" C 3 STP IN 3/4" C
(E)	NOT USED
(F)	2 #12 IN 3/4" C

- NOTES:**
- EXISTING YAGI ANTENNA AND CABLE TO BE REMOVED AFTER SUCCESSFUL INSTALLATION OF THE NEW PUMP STATION CONTROL PANEL (PSCP).
 - EXISTING MOSCAD UNIT AND RADIO TO BE REMOVED FROM EXISTING PANEL.
 - EXISTING TELOG PANEL TO REMAIN. REMOVE EXISTING ANALOG AND DIGITAL INPUTS BETWEEN MOSCAD UNIT AND TELOG UNIT. REPLACE THESE SIGNALS WITH IDENTICAL SIGNALS ORIGINATING FROM THE NEW PSCP.
 - REMOVE EXISTING PUMP CONTROL PANEL AFTER INSTALLATION OF THE TEMPORARY CONTROL PANEL. REWIRE CONTROLS TO THE NEW PSCP AS SHOWN ON THE DRAWINGS.
 - REFER TO DRAWING G-12 FOR DETAILS OF THE CONSTRUCTION PHASING REQUIREMENTS FOR THE NEW PSCP.
 - MOVE EXISTING ANTENNA DOWN ON MAST AND INSTALL NEW ANTENNA ON TOP OF MAST. INSTALL NEW ANTENNA CABLE.
 - PROVIDE NEW TERMINAL BLOCKS IN EXISTING PANEL AND EXTEND EXISTING CONTROL WIRING TO THE NEW PSCP.
 - REFER TO DRAWING G-14 FOR PANEL LAYOUT.



1 ROOM PLAN
SCALE: 3/16" = 1'-0"



3 EXISTING MOSCAD PANEL
SCALE: NOT TO SCALE

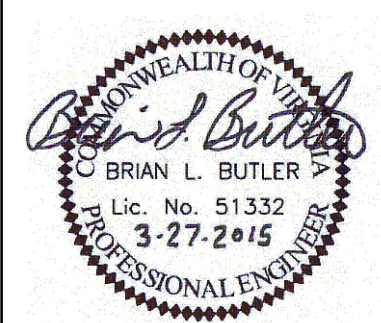


4 EXISTING CONTROL PANEL
SCALE: NOT TO SCALE



ISSUE	DATE	DESCRIPTION
1	MAR 27 2015	CONFORMED DRAWINGS
0	DEC 2014	BID

PROJECT MANAGER:	D. FOOTE
DESIGNED BY:	B. BUTLER
DRAWN BY:	G. BUI
PROJECT NUMBER:	8582



HAMPTON ROADS SANITATION DISTRICT
VIRGINIA BEACH, VIRGINIA

INTERCEPTOR SYSTEMS PUMP STATION
CONTROL AND SCADA

QUAIL
PRESSURE REDUCING STATION
NO 139
SITE PLAN

0 1" 2"	FILENAME	05139ES13.DWG	DRAWING NUMBER	ES-13	SHEET 103 OF 256
	SCALE	AS NOTED			