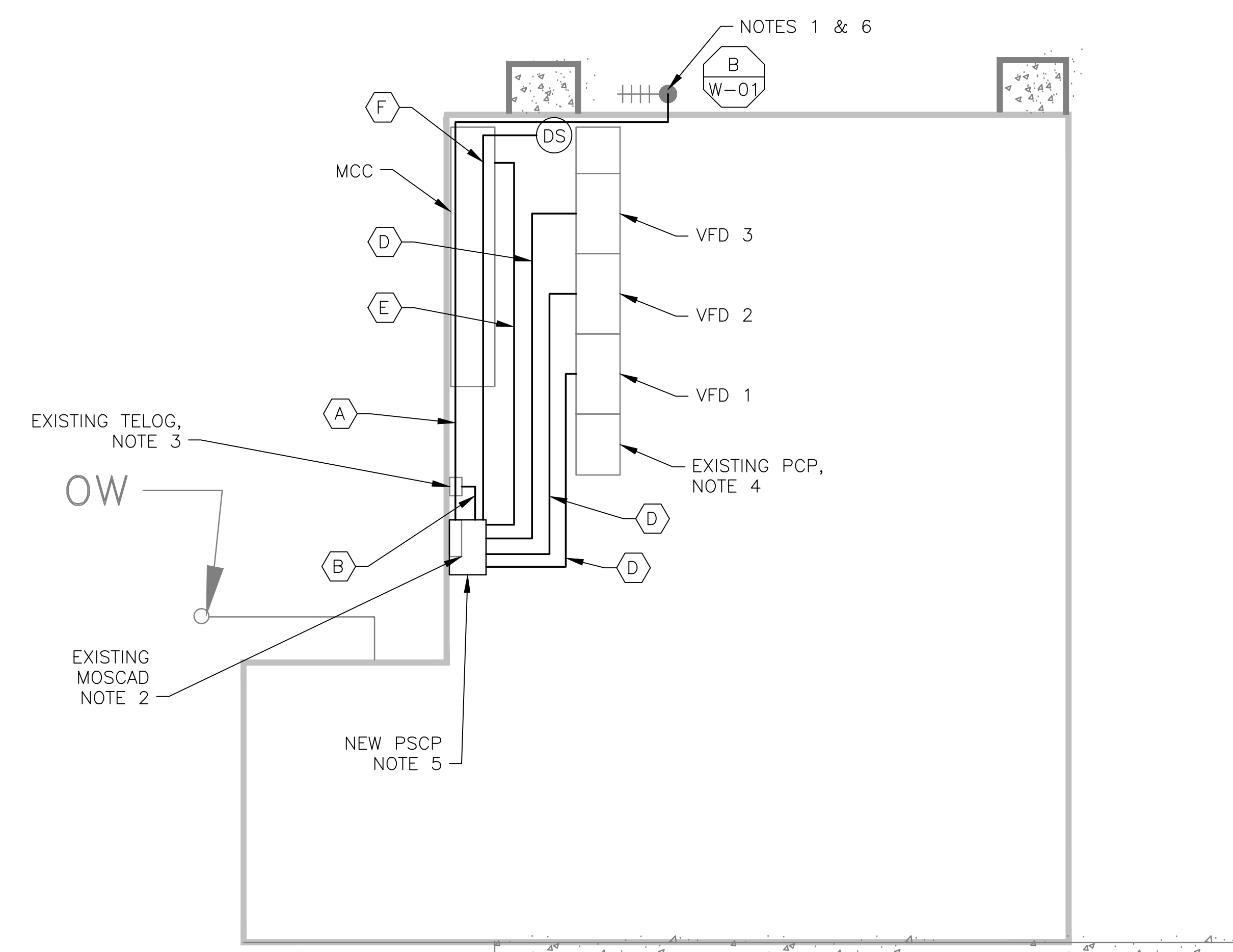


**5 SITE PLAN**  
SCALE: 1" = 20'-0"



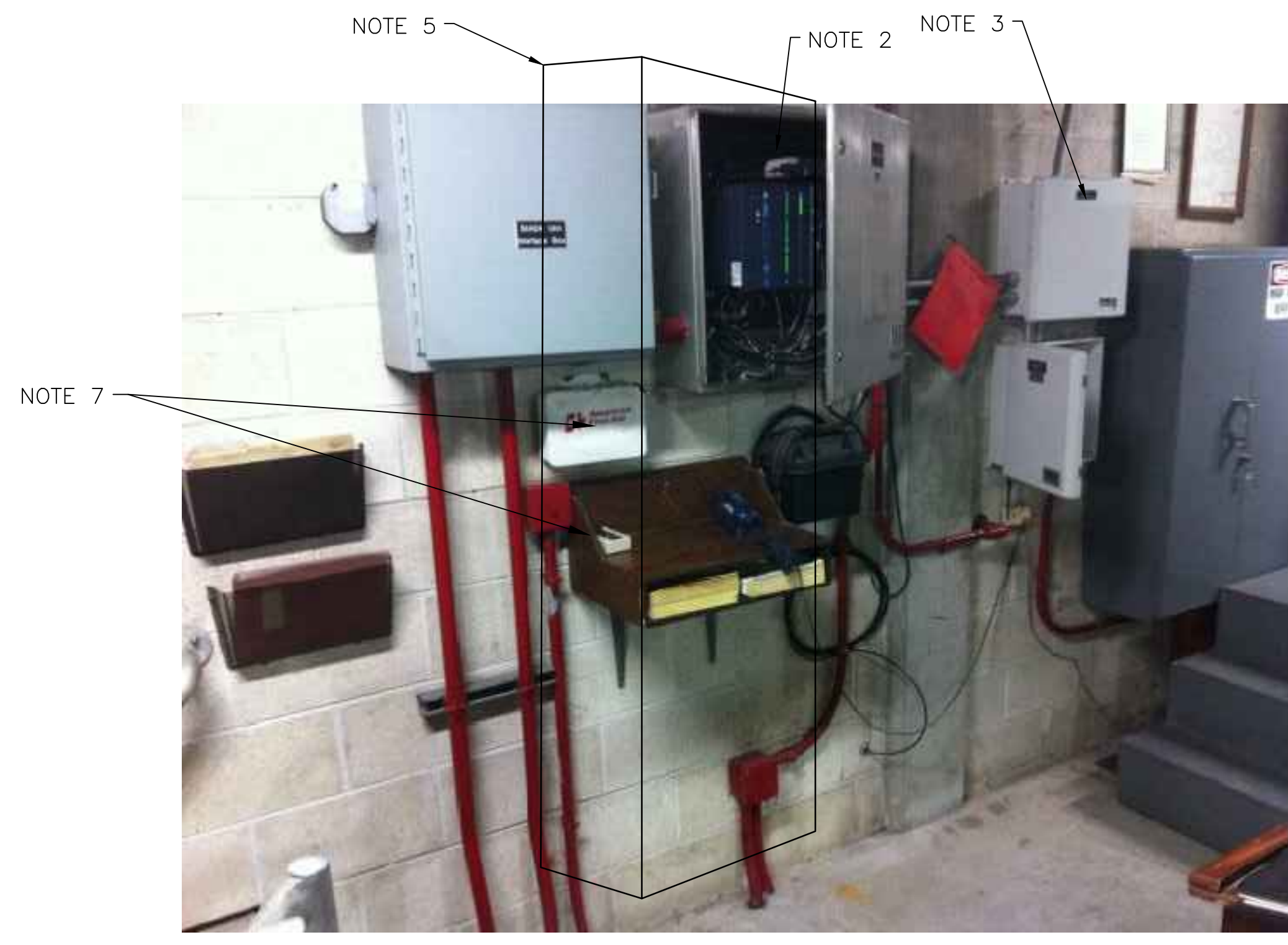
NOTES 1 & 6

- NOTES:**
- EXISTING YAGI ANTENNA AND CABLE TO BE REMOVED AFTER SUCCESSFUL INSTALLATION OF THE NEW PUMP STATION CONTROL PANEL (PSCP).
  - EXISTING MOSCAD PANEL AND TERMINATION PANEL TO BE TEMPORARILY RELOCATED; THEN REMOVED FROM THE SITE AFTER INSTALLATION AND TESTING OF THE NEW PSCP. REFER TO THE I/O LIST FOR EXISTING MOSCAD ANALOG AND DIGITAL I/O SIGNALS WHICH WILL BE RE-TERMINATED WITHIN THE NEW PSCP.
  - EXISTING TELOG PANEL TO REMAIN. REMOVE EXISTING ANALOG AND DIGITAL INPUTS BETWEEN MOSCAD UNIT AND TELOG UNIT. REPLACE THESE SIGNALS WITH IDENTICAL SIGNALS ORIGINATING FROM THE NEW PSCP.
  - EXISTING PUMP CONTROL PANEL TO REMAIN. REMOVE EXISTING PLC'S, RELAYS, AND CONTROL EQUIPMENT AFTER INSTALLATION AND TESTING OF THE NEW PSCP.
  - REFER TO DRAWING G-13 FOR DETAILS OF THE CONSTRUCTION PHASING REQUIREMENTS FOR THE NEW PSCP.
  - MOVE EXISTING ANTENNA DOWN ON MAST AND INSTALL NEW ANTENNA AT TOP OF MAST. INSTALL NEW ANTENNA CABLE.
  - RELOCATE EXISTING EQUIPMENT/PANEL TO MAKE ROOM FOR THE NEW PSCP. EXACT LOCATION TO BE COORDINATED WITH HRSD.
  - REFER TO DRAWING G-14 FOR PANEL LAYOUT.



**1 ROOM PLAN**  
SCALE: 3/16" = 1'-0"

**2 EXISTING ANTENNA LOCATION**  
SCALE: NOT TO SCALE



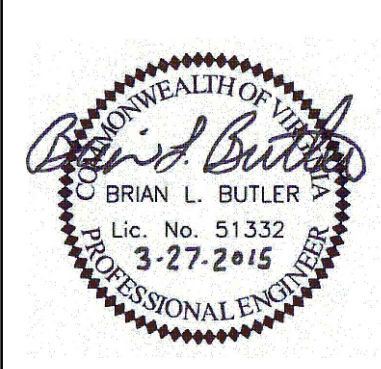
**3 EXISTING MOSCAD PANEL**  
SCALE: NOT TO SCALE

CONDUIT/CABLE SCHEDULE	
(A)	ANTENNA CABLE
(B)	2 #12, 1 #12 GND IN 3/4" C 12 #14 IN 3/4" C 10 STP IN 1-1/2" C
(C)	NOT USED
(D)	16 #14 IN 3/4" C 3 STP IN 3/4" C
(E)	2 #12, 1 #12 GND IN 3/4" C
(F)	2 #12 IN 3/4" C



ISSUE	DATE	DESCRIPTION
1	MAR 27 2015	CONFORMED DRAWINGS
0	DEC 2014	BID

PROJECT MANAGER:	D. FOOTE
DESIGNED BY:	B. BUTLER
DRAWN BY:	G. BUI
PROJECT NUMBER:	8582



**HAMPTON ROADS SANITATION DISTRICT**  
VIRGINIA BEACH, VIRGINIA

**INTERCEPTOR SYSTEMS PUMP STATION**  
CONTROL AND SCADA

**BOWERS HILL**  
**PRESSURE REDUCING STATION**  
**NO 137**  
**SITE PLAN**

FILENAME	05137ES09.DWG	DRAWING NUMBER	ES-09	SHEET	101 OF 256
SCALE	AS NOTED				