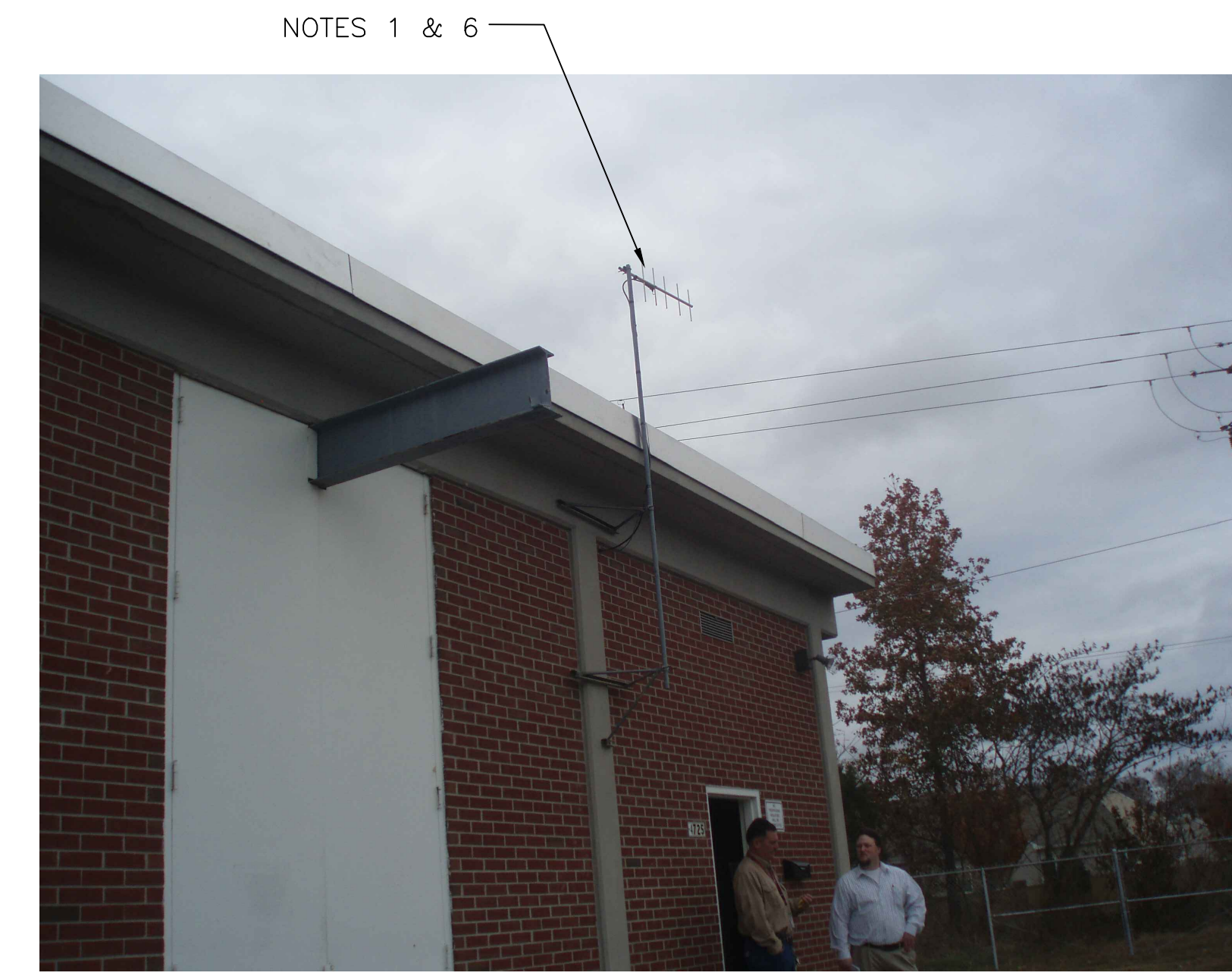
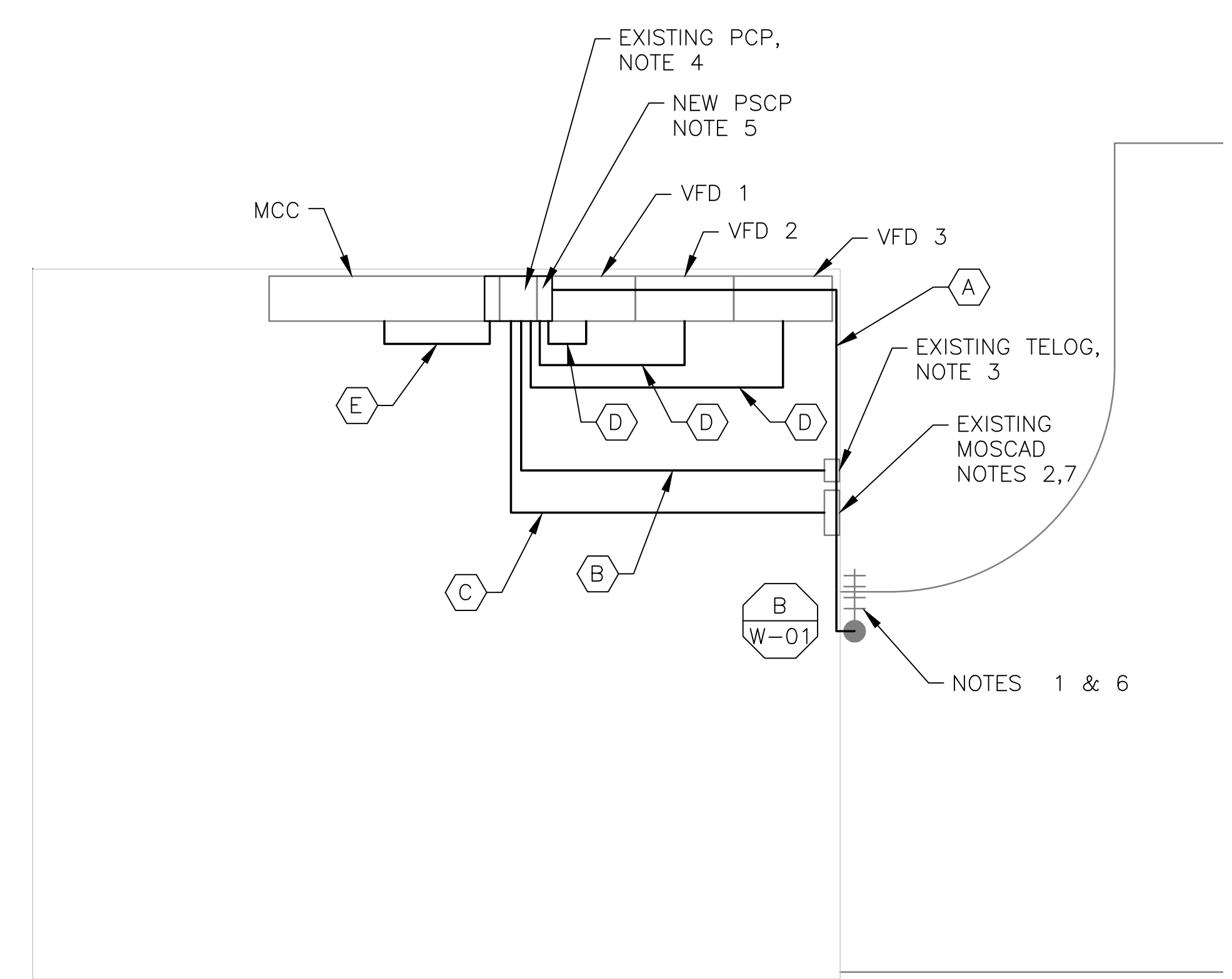


**4 SITE PLAN**  
SCALE: 1" = 20'-0"



**2 ANTENNA LOCATION**  
SCALE: NOT TO SCALE

- NOTES:**
- EXISTING YAGI ANTENNA AND CABLE TO BE REMOVED AFTER SUCCESSFUL INSTALLATION OF THE NEW PUMP STATION CONTROL PANEL (PSCP).
  - EXISTING MOSCAD UNIT AND RADIO TO BE REMOVED FROM EXISTING PANEL.
  - EXISTING TELOG PANEL TO REMAIN. REMOVE EXISTING ANALOG AND DIGITAL INPUTS BETWEEN MOSCAD UNIT AND TELOG UNIT. REPLACE THESE SIGNALS WITH IDENTICAL SIGNALS ORIGINATING FROM THE NEW PSCP.
  - THE EXISTING PUMP CONTROL PANEL SHALL BE REUSED WITH A NEW SUB-PANEL INSTALLED OR REPLACED WITH A NEW PSCP DUE TO SPACE LIMITATIONS. REWIRE CONTROLS TO THE NEW PSCP OR SUB-PANEL AS SHOWN ON THE DRAWINGS.
  - REFER TO DRAWING G-12 FOR DETAILS OF THE CONSTRUCTION PHASING REQUIREMENTS FOR THE NEW PSCP.
  - MOVE EXISTING ANTENNA DOWN ON MAST AND INSTALL NEW ANTENNA AT TOP OF MAST. INSTALL NEW ANTENNA CABLE.
  - PROVIDE NEW TERMINAL BLOCKS IN EXISTING PANEL AND EXTEND EXISTING CONTROL WIRING TO THE NEW PSCP.
  - REFER TO DRAWING G-14 FOR PANEL LAYOUT.



**1 ROOM PLAN**  
SCALE: 3/16" = 1'-0"



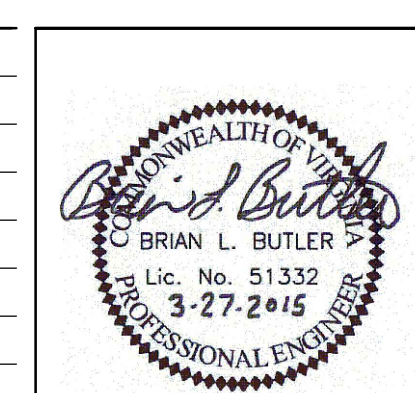
**3 EXISTING MOSCAD PANEL**  
SCALE: NOT TO SCALE

CONDUIT/CABLE SCHEDULE	
(A)	ANTENNA CABLE
(B)	2 #12, 1 #12 GND IN 3/4" C 12 #14 IN 3/4" C 9 STP IN 1-1/2" C
(C)	36 #14 IN 1" C 5 STP IN 1" C
(D)	16 #14 IN 3/4" C 3 STP IN 3/4" C
(E)	2 #12, 1 #12 GND IN 3/4" C
(F)	NOT USED



ISSUE	DATE	DESCRIPTION
1	MAR 27 2015	CONFORMED DRAWINGS
0	DEC 2014	BID

PROJECT MANAGER:	D. FOOTE
DESIGNED BY:	J. MIRABELLA
DRAWN BY:	J. JACKSON
PROJECT NUMBER:	8582



**HAMPTON ROADS SANITATION DISTRICT**  
VIRGINIA BEACH, VIRGINIA

**INTERCEPTOR SYSTEMS PUMP STATION**  
CONTROL AND SCADA

**PUGHVILLE**  
**PRESSURE REDUCING STATION**  
**NO 134**  
**SITE PLAN**

0 1" 2"

FILENAME	05134ES07.DWG	DRAWING NUMBER	ES-07
SCALE	AS NOTED	SHEET	100 OF 256