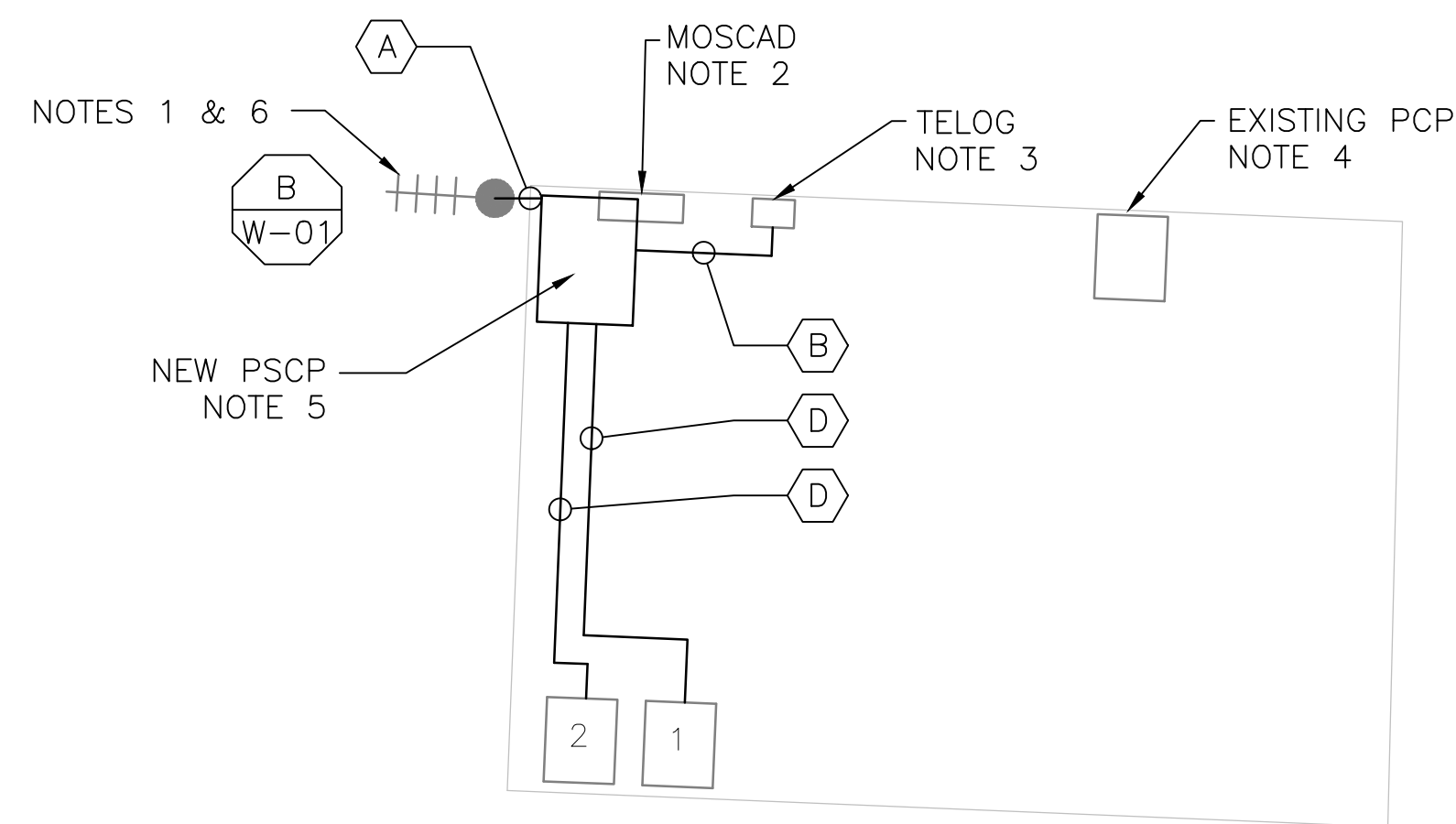


4 SITE PLAN
SCALE: 1" = 20'-0"



1 FLOOR PLAN
SCALE: 1/4" = 1'-0"



2 EXISTING ANTENNA LOCATION
SCALE: NOT TO SCALE



3 CONTROL PANEL LOCATION
SCALE: NOT TO SCALE

NOTES:

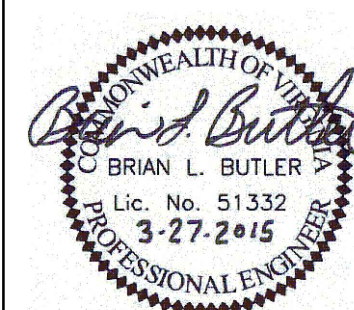
- EXISTING YAGI ANTENNA AND CABLE TO BE REMOVED AFTER SUCCESSFUL INSTALLATION OF THE NEW PUMP STATION CONTROL PANEL (PSCP).
- EXISTING MOSCAD PANEL AND TERMINATION PANEL TO BE TEMPORARILY RELOCATED, THEN REMOVED FROM SITE AFTER INSTALLATION AND TESTING OF THE NEW PSCP. REFER TO THE I/O LIST FOR EXISTING MOSCAD ANALOG AND DIGITAL I/O SIGNALS WHICH WILL BE RE-TERMINATED WITHIN THE NEW PSCP.
- EXISTING TELOG PANEL TO REMAIN. REMOVE EXISTING ANALOG AND DIGITAL INPUTS BETWEEN MOSCAD UNIT AND TELOG UNIT. REPLACE THESE SIGNALS WITH IDENTICAL SIGNALS ORIGINATING FROM THE NEW PSCP.
- EXISTING PUMP CONTROL PANEL TO REMAIN. REMOVE EXISTING PLC'S, RELAYS, AND CONTROL EQUIPMENT AFTER INSTALLATION AND TESTING OF THE NEW PSCP.
- REFER TO DRAWING G-13 FOR DETAILS OF THE CONSTRUCTION PHASING REQUIREMENTS FOR THE NEW PSCP.
- REPLACE EXISTING ANTENNA MOUNT PIPE WITH A PIPE THAT EXTENDS UP FIVE FEET FURTHER. MOUNT THE NEW PIPE TO THE WALL USING EXISTING WALL MOUNT BRACKETS. RE-INSTALL EXISTING ANTENNA AT SAME POSITION AS BEFORE AND INSTALL NEW ANTENNA AT TOP OF PIPE. INSTALL NEW ANTENNA CABLE TO NEW ANTENNA.
- REFER TO DRAWING G-14 FOR PANEL LAYOUT.

CONDUIT/CABLE SCHEDULE	
A	ANTENNA CABLE
B	2 #12, 1 #12 GND IN 3/4" C
C	6 #14 IN 3/4" C
D	7 STP IN 1-1/2" C
E	NOT USED
F	14 #14 IN 3/4" C



ISSUE	DATE	DESCRIPTION
1	MAR 27 2015	CONFORMED DRAWINGS
0	DEC 2014	BID

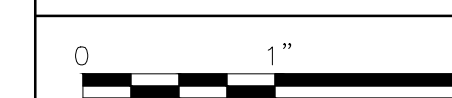
PROJECT MANAGER:	D. FOOTE
DESIGNED BY:	B. BUTLER
DRAWN BY:	G. BUI
PROJECT NUMBER:	8582



HAMPTON ROADS SANITATION DISTRICT
VIRGINIA BEACH, VIRGINIA

INTERCEPTOR SYSTEMS PUMP STATION
CONTROL AND SCADA

NORTH SHORE RD
GRAVITY LIFT STATION
NO 117
SITE PLAN



FILENAME	05117ES49.DWG
SCALE	AS NOTED

DRAWING NUMBER	ES-49
----------------	-------

SHEET 133 OF 256
